

86. SQ, SQE

SQ, SQE, SQE-NE

50/60 Hz, Pump, model B

Wear parts

Pos.	Pump type	SQ(E)-N1-35 to 95	SQ(E)-N1-110 to 155	SQ(E)-N2- 35 to 70	SQ(E)-N2- 85 to 130
		5SQ(E)-90 to 270	5SQ(E)-320 to 450	10SQ(E)-110 to 200	10SQ(E)-240 to 380
		Kit No	96479862	96479864	96479866
Description					
4a	Empty chamber	1	2	1	1
9b	Chamber, upper	6	10	4	8
9c	Chamber, lower	6	10	4	8
	Neck ring	6	10	4	8
13	Impeller	6	10	4	8
14	Inlet part	1	1	1	1
32	Guide vane	6	10	4	8
64	Priming screw	1	1	1	1
87	Cone	1	1	1	1

Pos.	Pump type	SQ(E)-NE2- 35 to 65	SQ(E)-NE2- 75 to 115	SQ(E)-N3- 30 to 55	SQ(E)-N3- 65 to 105
		10SQ(E)-NE-100 to 180	10SQ(E)-NE-220-340	15SQ(E)- 70 to 150	15SQ(E)- 180 to 290
		Kit No	96439551	96439552	96479869
Description					
4a	Empty chamber	1	1	1	2
9b	Chamber, upper	4	8	4	8
9c	Chamber, lower	4	8	4	8
	Neck ring	4	8	4	8
13	Impeller	4	8	4	8
14	Inlet part	1	1	1	1
32	Guide vane	4	8	4	8
64	Priming screw	1	1	1	1
87	Cone	1	1	1	1

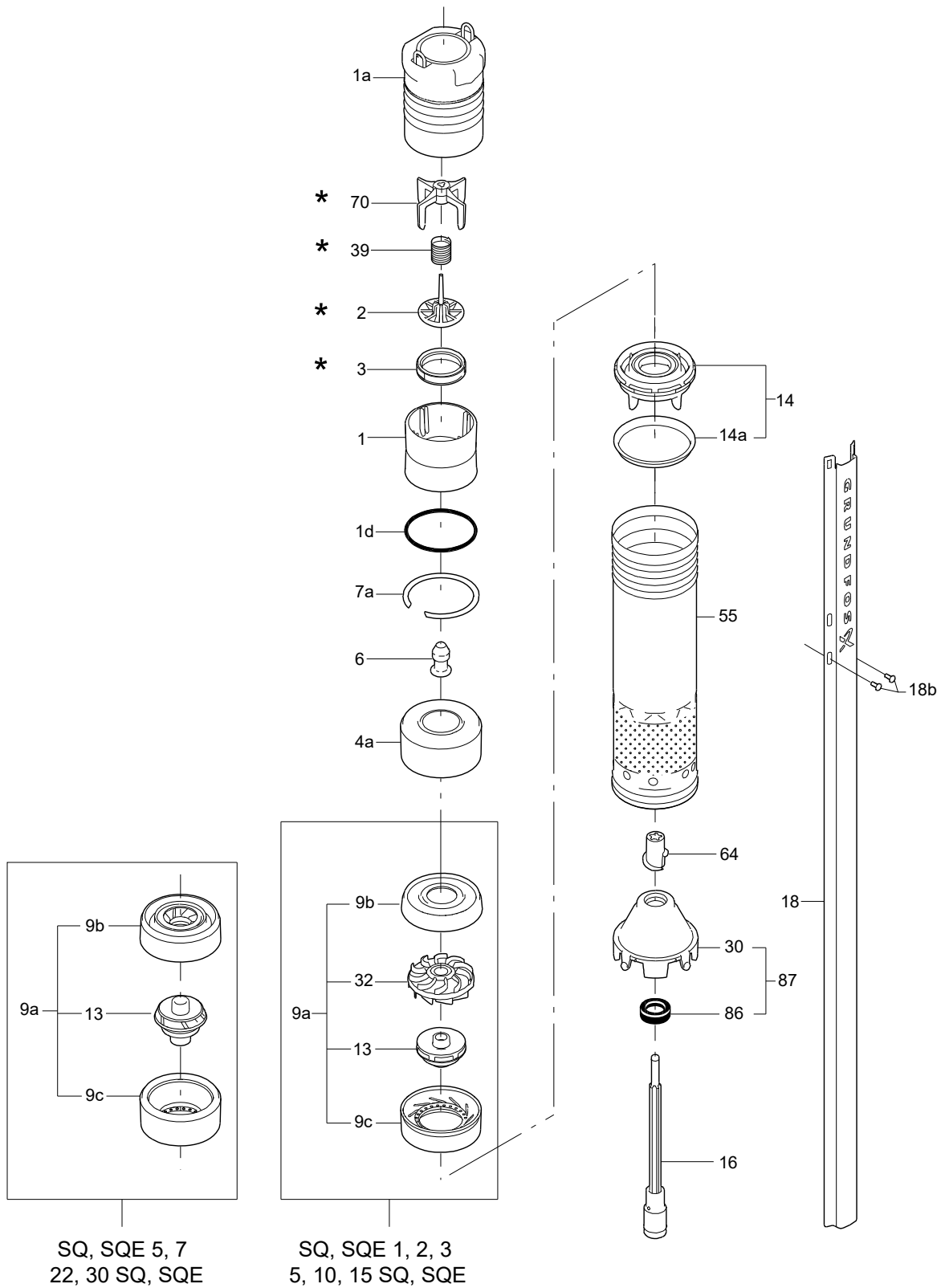
Pos.	Pump type	SQ(E)-N5 15 to 35	SQ(E)-N5 50 to 70	SQ(E)-NE5 15 to 35	SQ(E)-NE5 45 to 65	SQ(E)-N7 15 to 55
		22SQ(E) 40 to 120	22SQ(E) 160 to 220	22SQ(E)-NE 40 to 110	22SQ(E)-NE 140 to 210	30SQ(E) 40 to 170
		Kit No	96479871	96479873	96439560	96439561
Description						
4a	Empty chamber	1	1	1	1	1
9b	Chamber, upper	3	6	3	6	4
9c	Chamber, lower	3	6	3	6	4
13	Impeller	3	6	3	6	4
14	Inlet part	1	1	1	1	1
64	Priming screw	1	1	1	1	1
87	Cone	1	1	1	1	1

Valve

Pos.		Valve casing complete		Valve casing
		Standard	NE	NE
		Kit No	96427517	96439570
Description				
1	Valve casing	1	1	1
1d	O-ring	1	1	1
2	Valve cup	1	1	-

Pos.	Kit No	Valve casing complete		Valve casing
		Standard	NE	NE
		<i>96427517</i>	<i>96439570</i>	<i>96427518</i>
Description				
3	Valve seat	1	1	-
6	Top bearing	1	1	1
7a	Retaining ring	1	1	1
39	Valve spring	1	1	-
70	Valve guide	1	1	1

SQ, SQE, SQE-NE



*: SQE-NE for Europe, Asia and Japan does not include marked positions 70, 39, 2 and 3 (valve)

TM019206

Motor, model B 50/60 Hz**Rotor (only motor model A)**

Pos.	Motor size (kW)	Standard version			NE version		
		0.63 kW	1.05 kW	1.73 kW	0.63 kW	1.05 kW	1.73 kW
		Kit No	96427521	96427522	96427523	96427524	96427525
Description							
202	Rotor	1	1	1	1	1	1
202a	Stop ring	1	1	1	1	1	1
202b	Strainer	1	1	1	1	1	1
203	Thrust bearing	1	1	1	1	1	1
205	Bearing plate	1	1	1	1	1	1

Motor cable (only motor model B)

Area	Standard version				NE version	Standard
	Europe/Asia/South America					Japan
	Length (m) / Dimensions	3 x 1.5 mm ²	3 x 2.5 mm ²	3 x 4.0 mm ²	3 x 6.0 mm ²	3 x 12 AWG
1.5	96160869	-	-	-	96160882	96160893
5.0	96160870	-	-	-	96160883	-
10	96160871	-	-	-	96160884	-
15	96160872	-	-	-	96160885	-
20	96160873	-	-	-	96160886	-
30	96160874	-	-	-	96160887	-
40	96160875	96160967	-	-	96160888	-
50	96160876	96160968	-	-	96160889	-
60	96160877	96160969	-	-	96160890	-
70	96160878	96160580	-	-	96160891	-
80	96160879	96160581	96160582	-	96160892	-
90	96160880	96160958	96160971	96160973	96160979	-
100	96160881	96160970	96160972	96160974	96160980	-
110	-	-	-	-	96160981	-
120	-	-	-	-	96160982	-

Cable termination

Cable size	Kit No
1.5 - 2.5 mm ²	14 AWG 96021462
4.0 - 6.0 mm ²	14 AWG 96021473

Motor cable

Area	Standard		NE version
	North America	North America/Japan	
Dimensions	3 x 14 AWG	3 x 12 AWG	
Length (ft)			
5	96160894	1 x 200-240 V	-
	96160966	1 x 115 V	-
25	-	-	96160895
50	-	-	96160896
75	-	-	96160897
100	-	-	96160898
125	-	-	96160899
150	-	-	96160900
175	-	-	96160901
200	-	-	96160902
225	-	-	96160903
250	-	-	96160904
300	-	-	96160905

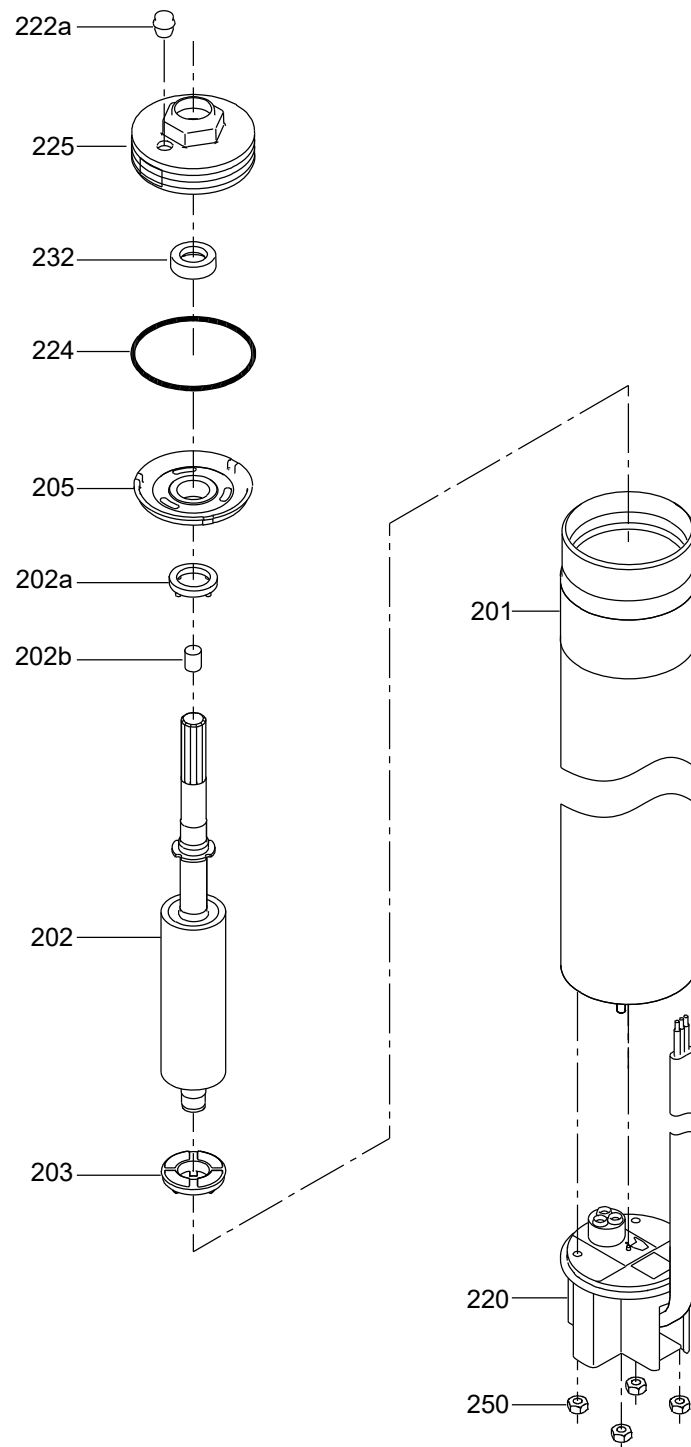
Screw

Pos.	Kit No	96037388
Description		
18a	Screw K35 x 10	2
18b	Screw M3 x 6	2
250	Nut M4	4
250	Screw M4 x 8	4

Top cover (only motor model A)

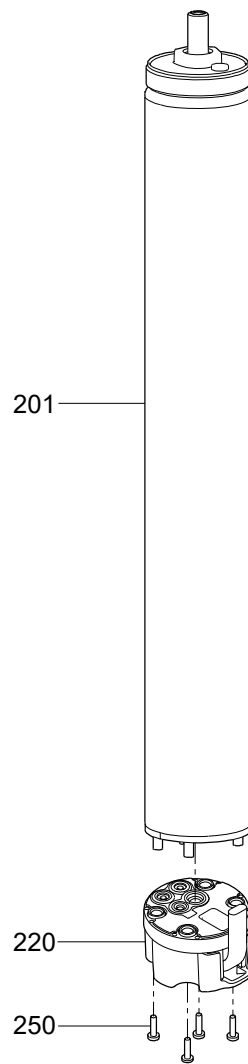
Pos.	Kit No	Standard version	NE version
		96427519	96441919
Description			
222a	Filling plug	1	1
224	O-ring	1	1
225	Top cover	1	1
232	Shaft seal	1	1

Pump, model A



TM038939

Pump, model B



TM044892